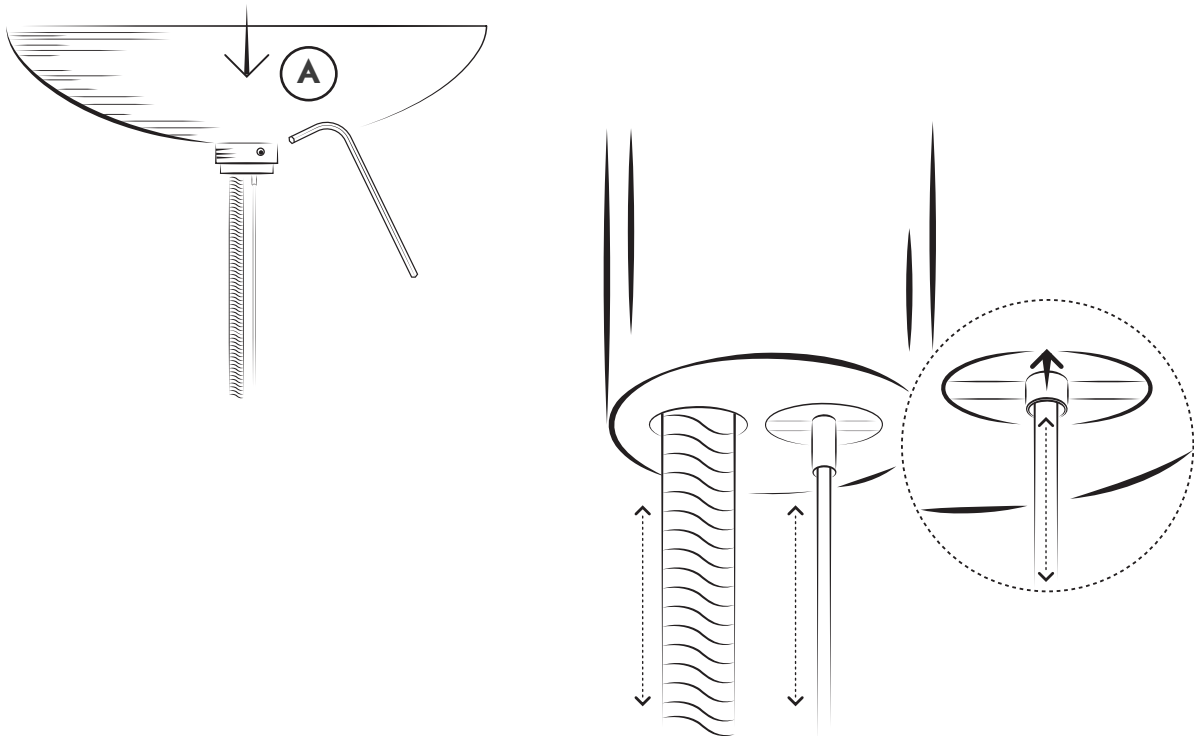


INSTALLATION INSTRUCTIONS

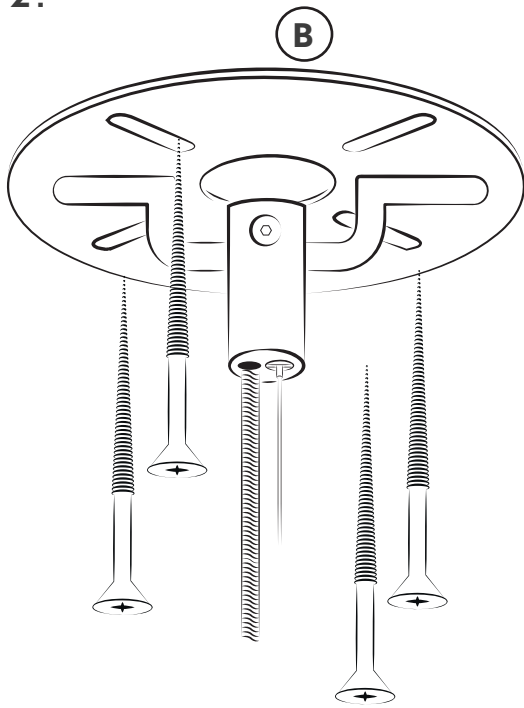
An Allen key is included in the package

1. With the Allen key, loosen the screw on the bottom of the ceiling cup (A). Adjust the length of cable and wire for the desired height. The wire runs through a self-locking metal casing. When you press in the casing, the wire runs freely and when you release the casing the wire locks automatically.
2. Attach the white metal plate to the ceiling (B). Put the ceiling cup back on and secure it with the Allen key.
3. Lift up the upper glass (C) to screw in the light bulbs in the upper part of the ceiling lamp (D).
4. Securely hold the lower glass section and unscrew the bottom brass ball (E). Note that when it is unscrewed, both the glass and the brass ring are loose. It is therefore important to hold these firmly.
5. Screw in the light bulbs (F) in the lower section of the lamp. Put the glass and brass ring back in place before screwing the brass ball back on (G).

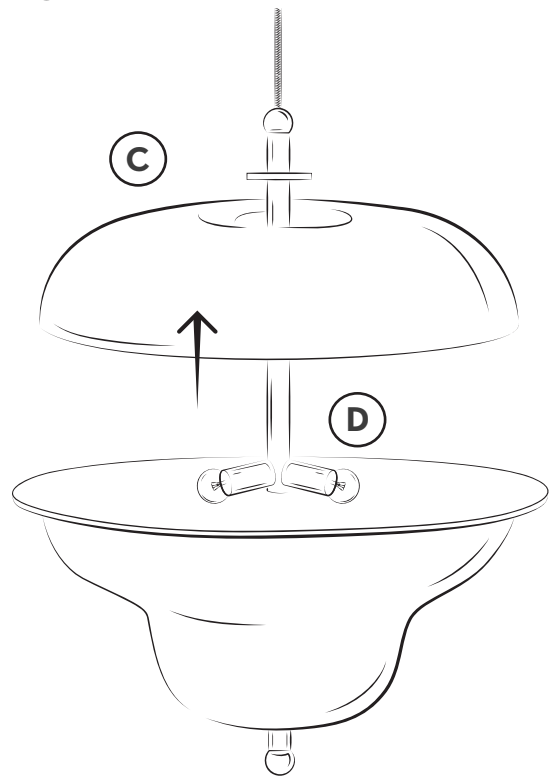
1.



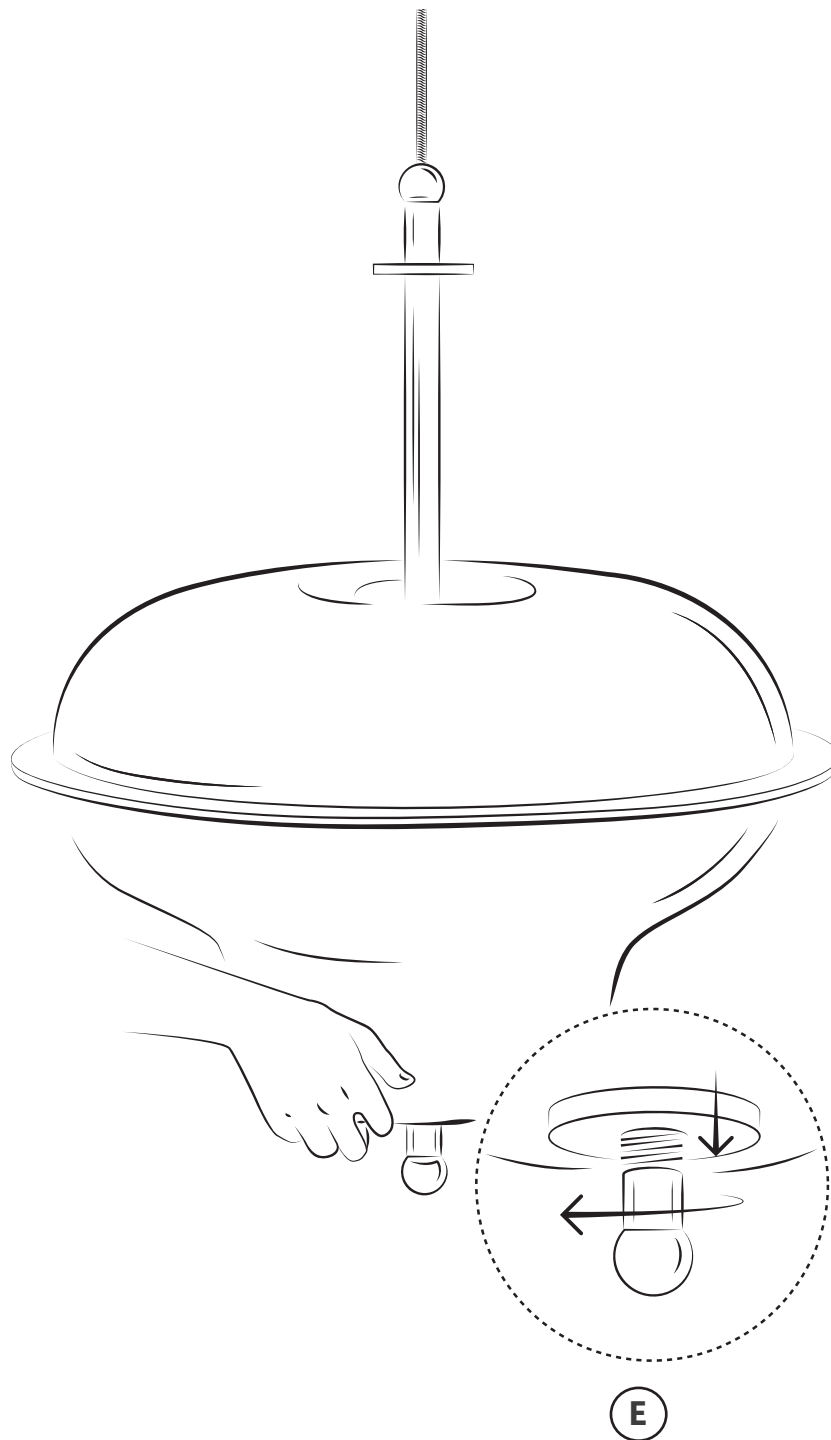
2.



3.



5.



6.

