

WALL LAMP 2572

DESIGNER: JOSEF FRANK, 1920s

Josef Frank designed Wall lamp 2572 in the late 1920's for his own company "Haus & Garten" in Austria. The lamp is designed to reflect the light evenly and beautifully in a room. Josef Frank started to work for Svenskt Tenn in 1933 and brought the design with him.

ITEM NR:	100033
HEIGHT:	23 CM
WIDTH:	39 CM
DEPTH:	28 CM
WEIGHT:	1,75 KG
MAX WATTAGE:	5X25 W
MATERIAL:	BRASS
LIGHT BULB INCLUDED:	NO



HANDCRAFTED IN SWEDEN

S V E N S K T T E N N

CARE AND ASSEMBLY INSTRUCTIONS

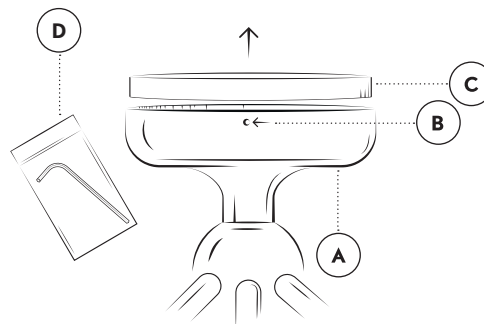
Svenskt Tenn's lamps are lacquered and should never be polished. Wipe the surfaces lightly with a fiber cloth. Avoid contact with water.

SVENSKA ANVISNINGAR

Skruva fast metallplattan (C) på väggen enligt bilden. Det är viktigt att den hamnar exakt som på bilden för att lampan ska hamna rätt. Trä sedan på kåpan (A) och reglera mässingsstavarna i hålen. Skruva därefter åt de två stoppskruvarna på vardera sida.

ENGLISH INSTRUCTIONS

Screw the metal plate (C) to the wall as in the diagram. It is important that it is exactly as in the picture so the lamp sits right. Thread on the housing (A) and adjust the brass rods in the holes. Tighten the two set screws on each side.

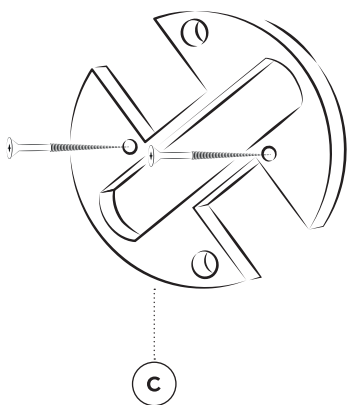


SVENSKA

- (A) Kåpa
- (B) Skruvhål x 2
- (C) Metallplatta & stoppskruv x 2
- (D) Insexnyckel

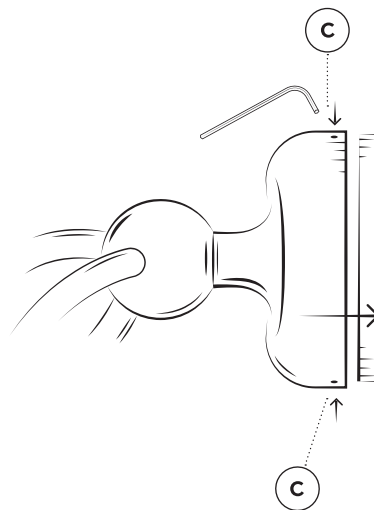
ENGLISH

- (A) Housing
- (B) Screwhole x 2
- (C) Metal ceiling plate & set screw x 2
- (D) Allen key



- SVENSKA
(C) Metallplatta

- ENGLISH
(C) Metal ceiling plate



- SVENSKA
(C) Stoppskruv

- ENGLISH
(C) Set screw