

WALL LAMP 2484

DESIGNER: JOSEF FRANK

Josef Frank designed Wall lamp 2484 in the end of the 1920's for his own company "Haus & Garten" (House and Garden) in Austria. The lamp is designed to reflect the light evenly and beautifully in a room.

Josef Frank started to work for Svenskt Tenn in 1933 and brought the design with him.

ITEM NR:	100032
LENGHT:	60 CM
DEPTH:	55 CM
MATERIAL:	BRASS
MAX WATTAGE:	40 W
SOCKET:	E27
IP RATING:	20
CORD LENGTH:	2,65 M



HANDMADE

S V E N S K T T E N N

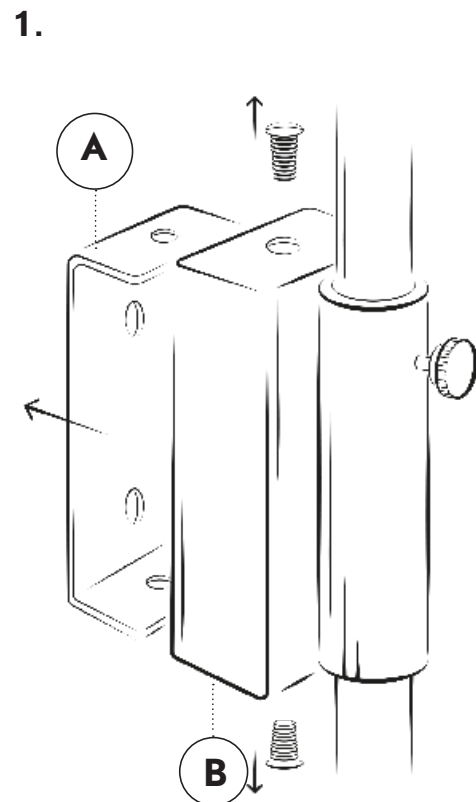
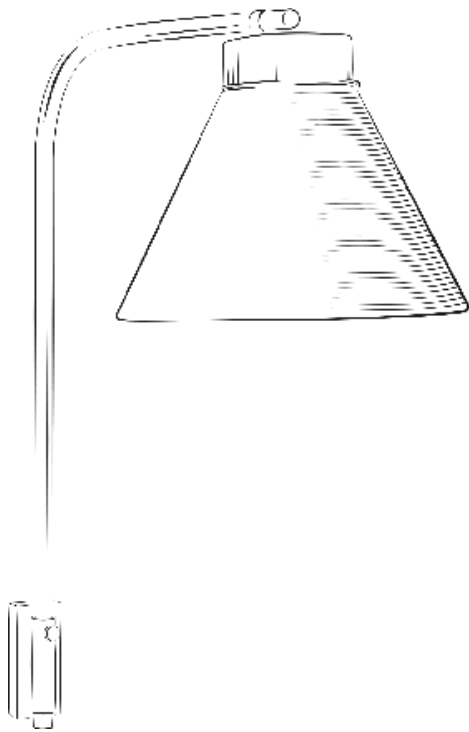
CARE INSTRUCTIONS

Svenskt Tenn's lamps are lacquered and should never be polished. Wipe the surfaces lightly with a fiber cloth. Avoid contact with water.

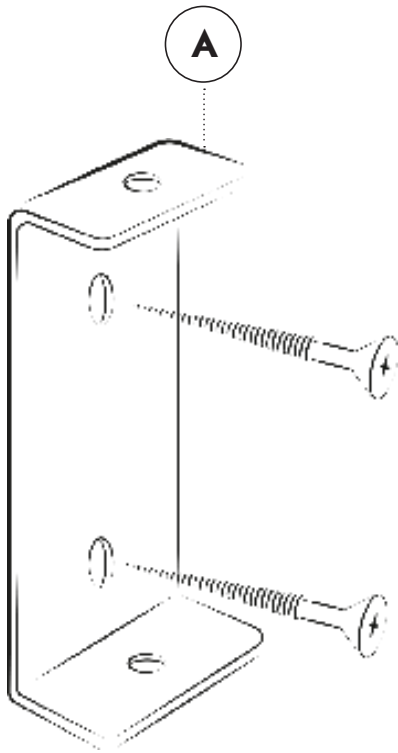
ASSEMBLY INSTRUCTIONS

No loose parts in the package.

1. Loosen the top and bottom screws on the wall mount (B). Remove the white plate (A).
2. Mount the plate (A) on the wall.
3. Fit the wall mount (B) onto the plate. Screw in the top and bottom screws.



2.



3.

