

# PENDANT LAMP SIRKKA

DESIGNER: MIMMI BLOMQVIST, 2023

A sculptural, functional and elegant ceiling lamp, designed exclusively for Svenskt Tenn by artist and designer Mimmi Blomqvist. The ceiling lamp is both practical and beautiful with its soft, mushroom-like form. Even when switched off, it serves a purpose, hanging like a jewel from the ceiling with its beautiful opal glass combined with shiny brass. The collection is based on the organic forms found in nature and the soft designs that Blomqvist encountered growing up. It is named after her paternal grandmother, Sirkka.

ITEM NR:	112345
HIGHT:	61,5 CM
WIDTH:	49 CM
MATERIAL:	GLASS, BRASS



HANDMADE

*S V E N S K T T E N N*

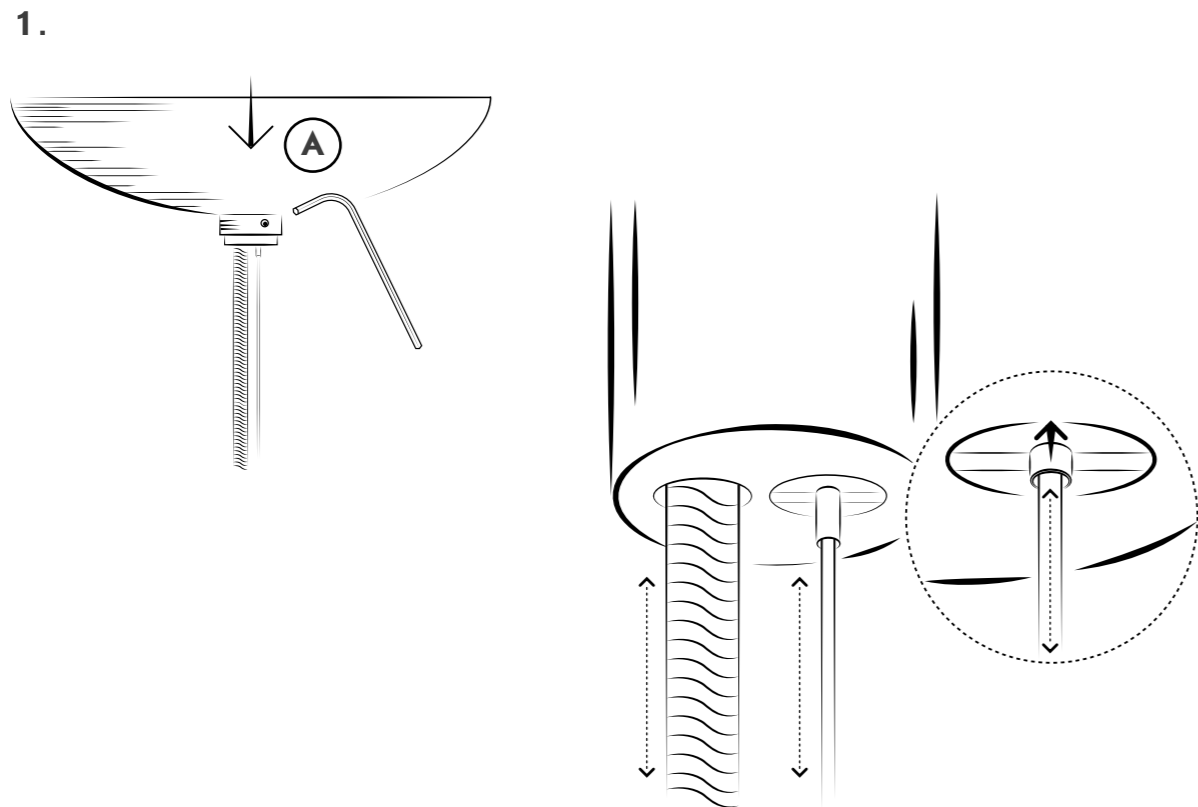
## CARE INSTRUCTIONS

Svenskt Tenn's lamps are lacquered and should never be polished. Wipe the surfaces lightly with a fiber cloth. Avoid contact with water.

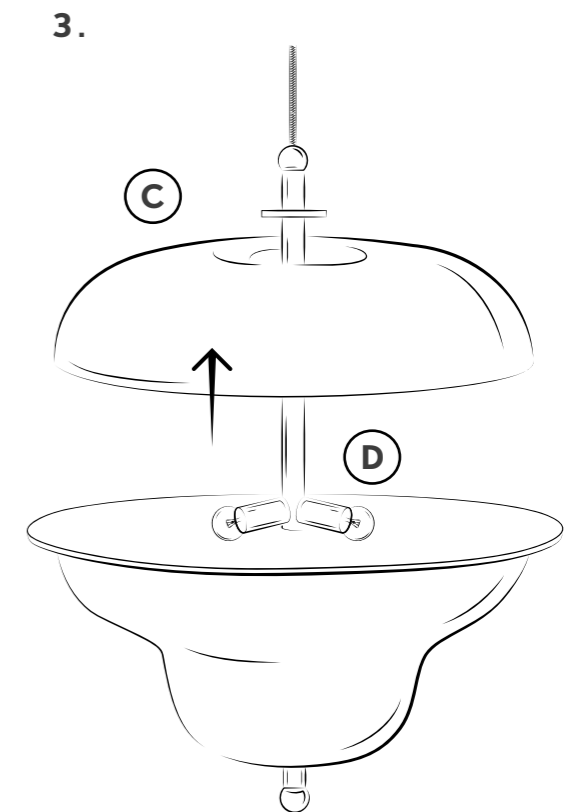
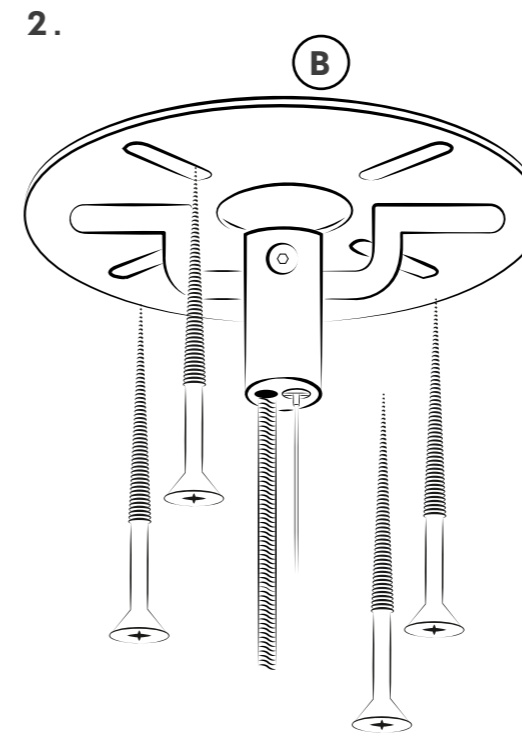
## INSTALLATION INSTRUCTIONS

An Allen key is included in the package

1. With the Allen key, loosen the screw on the bottom of the ceiling cup (A). Adjust the length of cable and wire for the desired height. The wire runs through a self-locking metal casing. When you press in the casing, the wire runs freely and when you release the casing the wire locks automatically.
2. Attach the white metal plate to the ceiling (B). Put the ceiling cup back on and secure it with the Allen key.
3. Lift up the upper glass (C) to screw in the light bulbs in the upper part of the ceiling lamp (D).
4. Securely hold the lower glass section and unscrew the bottom brass ball (E). Note that when it is unscrewed, both the glass and the brass ring are loose. It is therefore important to hold these firmly.
5. Screw in the light bulbs (F) in the lower section of the lamp. Put the glass and brass ring back in place before screwing the brass ball back on (G).

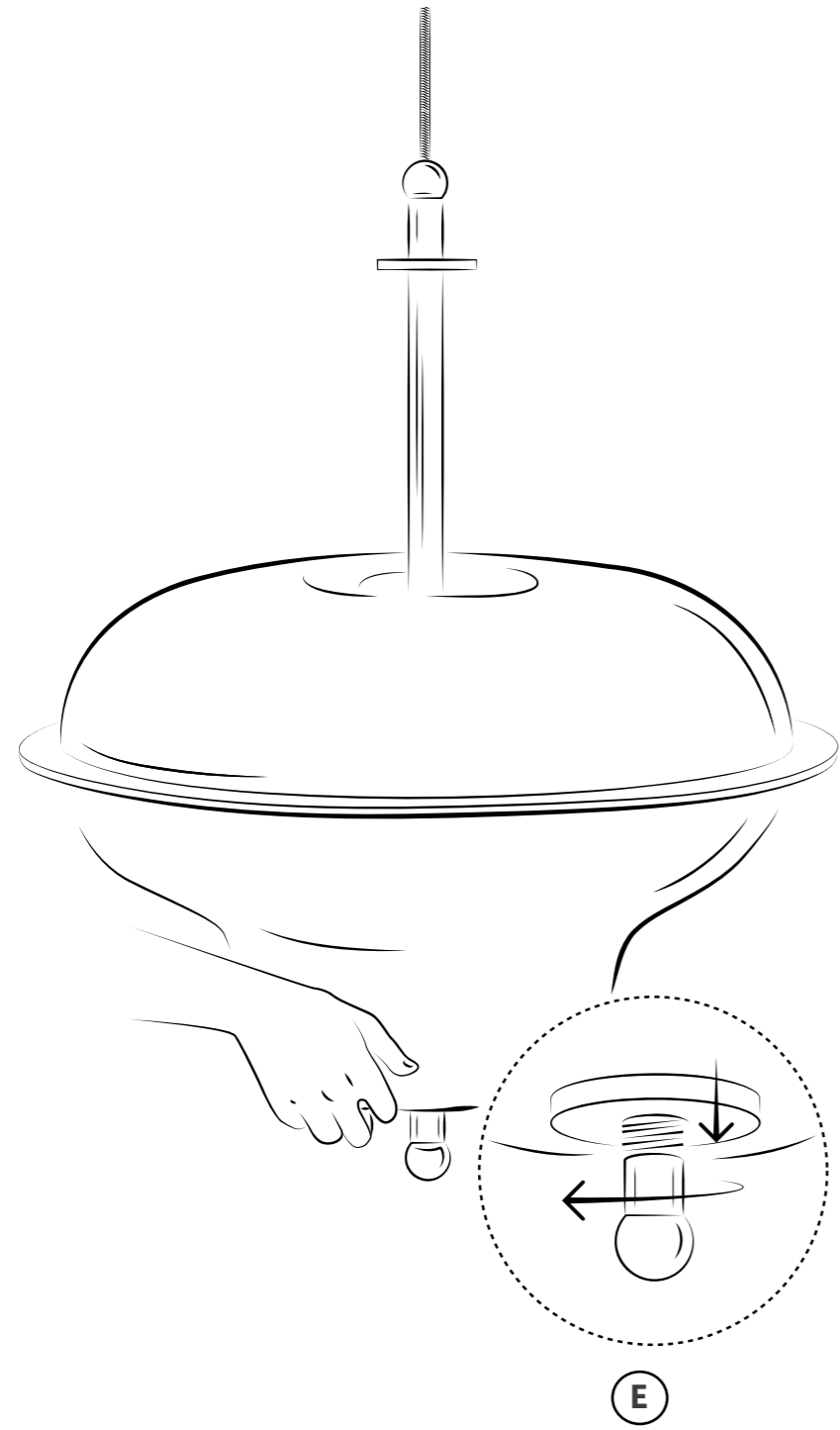


SVENSKT TENN



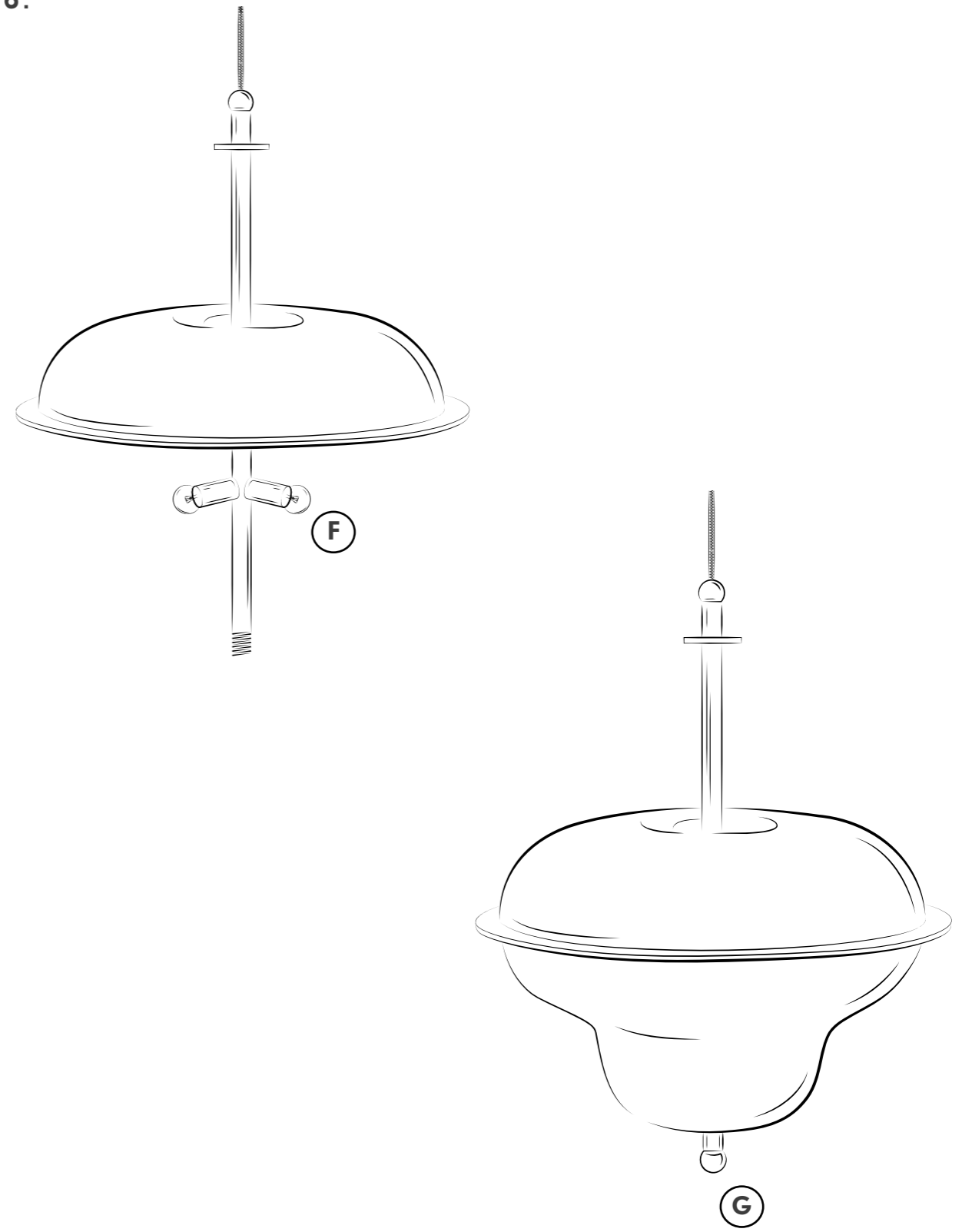
SVENSKT TENN

5.



SVENSKT TENN

6.



SVENSKT TENN